

PRODUCT CODE: MLP1G
LOOP IN BOX



DESCRIPTION

Loop In Box - One Hole

FINISH

Hot Dipped Galvanised

MATERIAL

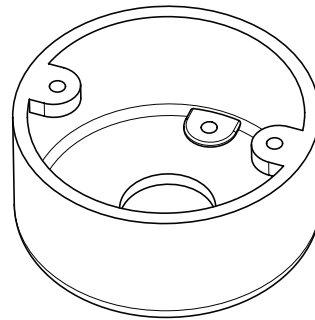
Malleable Iron

PACKAGING

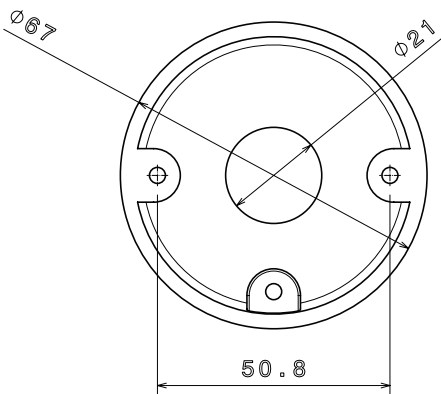
Packed in qty 10

ADDITIONAL NOTES

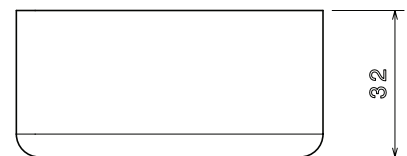
Conforms to BS EN61386-1
Compliant to LU Standard 1-085 (for use on surface & sub-surface locations)



Isometric view
Scale: 1:1



Top View
Scale: 1:1



Side View
Scale: 1:1